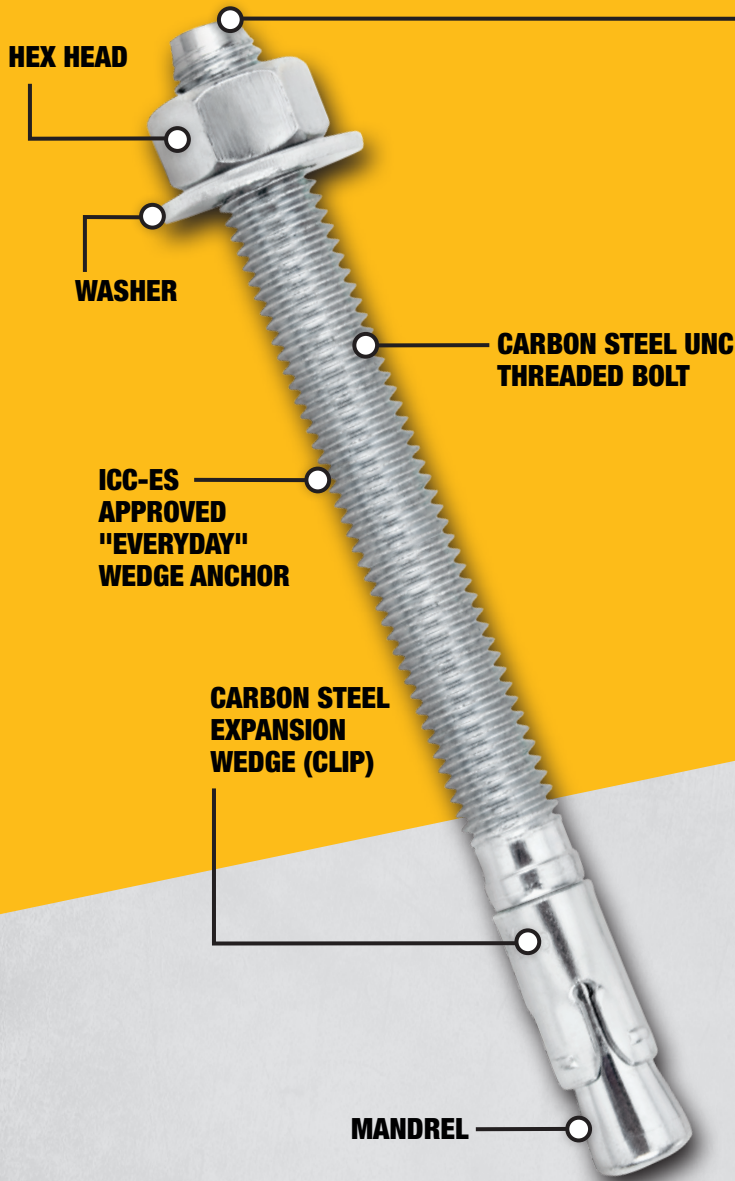




# ANCHORS & FASTENERS



**TOP VIEW**

**+ SYMBOL**  
Building Code Compliant Anchor

**LETTER CODE**  
Length ID Mark  
EX. : H = 5"

**NUMBER CODE**  
1 = Carbon Steel Body and Carbon Steel Expansion Clip

## TYPICAL APPLICATIONS

- Structural connections, like beam and column anchorage
- Safety-related attachments
- Protective barriers and racking
- Tension zone applications, like cable trays and strut, pipe supports, fire sprinkler
- Seismic and wind loading
- Interior applications / low level corrosion environment

## APPROVALS



ESR-2818  
Concrete  
ESR-2966  
Masonry



2015  
2012  
2009



Recognition in cracked and uncracked concrete including seismic and wind loading (Category 1 Anchors)



Full FM & UL listings: [www.DEWALT.com](http://www.DEWALT.com)

## BASE MATERIALS



Normal Weight Concrete



Lightweight Concrete



Concrete Over Steel Deck



Grouted Masonry

# WEDGE EXPANSION ANCHOR

# Power-Stud®+ SD1

**POWER-STUD®+ SD1**

| CAT #    | ANCHOR SIZE   | THREAD LEN | CTN | MSTR |
|----------|---------------|------------|-----|------|
| 7400SD1* | 1/4" x 1-3/4" | 3/4"       | 100 | 600  |
| 7402SD1  | 1/4" x 2-1/4" | 1-1/4"     | 100 | 600  |
| 7404SD1  | 1/4" x 3-1/4" | 2-1/4"     | 100 | 600  |
| 7410SD1* | 3/8" x 2-1/4" | 7/8"       | 50  | 300  |
| 7412SD1* | 3/8" x 2-3/4" | 1-3/8"     | 50  | 300  |
| 7413SD1  | 3/8" x 3"     | 1-5/8"     | 50  | 300  |
| 7414SD1  | 3/8" x 3-1/2" | 2-1/8"     | 50  | 300  |
| 7415SD1  | 3/8" x 3-3/4" | 2-3/8"     | 50  | 300  |
| 7416SD1  | 3/8" x 5"     | 3-5/8"     | 50  | 300  |
| 7417SD1  | 3/8" x 7"     | 5-5/8"     | 50  | 200  |
| 7420SD1* | 1/2" x 2-3/4" | 1"         | 50  | 200  |
| 7422SD1  | 1/2" x 3-3/4" | 2"         | 50  | 200  |
| 7423SD1  | 1/2" x 4-1/2" | 2-3/4"     | 50  | 200  |
| 7424SD1  | 1/2" x 5-1/2" | 3-3/4"     | 50  | 150  |
| 7426SD1  | 1/2" x 7"     | 5-1/4"     | 25  | 100  |
| 7427SD1  | 1/2" x 8-1/2" | 6-3/4"     | 25  | 100  |
| 7428SD1  | 1/2" x 10"    | 8-1/4"     | 25  | 100  |
| 7430SD1* | 5/8" x 3-1/2" | 1-1/2"     | 25  | 100  |
| 7432SD1  | 5/8" x 4-1/2" | 2-1/2"     | 25  | 100  |
| 7433SD1  | 5/8" x 5"     | 3"         | 25  | 100  |
| 7434SD1  | 5/8" x 6"     | 4"         | 25  | 75   |
| 7436SD1  | 5/8" x 7"     | 5"         | 25  | 75   |
| 7438SD1  | 5/8" x 8-1/2" | 6-1/2"     | 25  | 50   |
| 7439SD1  | 5/8" x 10"    | 8"         | 25  | 50   |
| 7440SD1* | 3/4" x 4-1/4" | 1-3/4"     | 20  | 60   |
| 7441SD1* | 3/4" x 4-3/4" | 2-1/4"     | 20  | 60   |
| 7442SD1  | 3/4" x 5-1/2" | 3"         | 20  | 60   |
| 7444SD1  | 3/4" x 6-1/4" | 3-3/4"     | 20  | 60   |
| 7446SD1  | 3/4" x 7"     | 4-1/2"     | 20  | 60   |
| 7448SD1  | 3/4" x 8-1/2" | 6"         | 10  | 40   |
| 7449SD1  | 3/4" x 10"    | 7-1/2"     | 10  | 40   |
| 7451SD1  | 3/4" x 12"    | 9-1/2"     | 10  | 20   |
| 7450SD1* | 7/8" x 6"     | 2-3/4"     | 10  | 40   |
| 7452SD1  | 7/8" x 8"     | 4-3/4"     | 10  | 40   |
| 7454SD1  | 7/8" x 10"    | 6-3/4"     | 10  | 20   |
| 7461SD1* | 1" x 6"       | 2-3/8"     | 10  | 20   |
| 7463SD1  | 1" x 9"       | 5-3/8"     | 10  | 20   |
| 7465SD1  | 1" x 12"      | 8-3/8"     | 5   | 10   |
| 7473SD1  | 1-1/4" x 9"   | 4-3/4"     | 5   | 10   |
| 7475SD1  | 1-1/4" x 12"  | 7-3/4"     | 5   | 10   |
| 7473SD1  | 1-1/4" x 9"   | 4-3/4"     | 5   | 15   |
| 7475SD1  | 1-1/4" x 12"  | 7-3/4"     | 5   | 15   |

\* Less than the minimum standard anchor length for Strength Design. Published length is the overall length of the anchor. Allow for fixture thickness plus one anchor diameter for the nut and washer thickness when selecting a length. Packaged with nuts and washers.



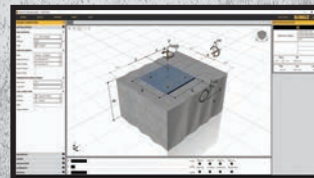
➤ Dust X+™ anchor installation system



**UPGRADE FROM TRADITIONAL HOLE CLEANING**



**STRUCTURAL DESIGN SOFTWARE FOR ANCHORING TO CONCRETE**



Download DDA™ and experience our free concrete anchoring design software.

[DEWALT.COM/DDA](http://DEWALT.COM/DDA)

**RELATED PRODUCTS**



**DCH293R2DH**  
20V MAX\* XR® SDS PLUS ROTARY HAMMER W/DUST COLLECTION



**DCH273P2DHO**  
20V MAX\* XR® SDS PLUS ROTARY HAMMER W/ON-BOARD DUST EXTRACTOR



**DWH050K**  
LARGE HAMMER DUST EXTRACTION - HOLE CLEANING



**DWV012**  
10-GALLON HEPA/RRP WET/DRY DUST EXTRACTOR



**HOLLOW DRILL BIT**  
SDS PLUS AND SDS MAX CARBIDE

\*For 20V MAX\* Maximum initial battery voltage (measured without a workload) is 20 volts. Nominal voltage is 18.

**1-800-4-DEWALT**

**www.DEWALT.com**

Copyright ©2021 DEWALT. The following are trademarks for one or more DEWALT power tools, accessories, anchors and concrete adhesives: The yellow and black color scheme; the "D"-shaped air intake grill; the array of pyramids on the handgrip; the kit box configuration; and the array of lozenge-shaped humps on the surface of the tool.

ICDWS1SS