



Mission Rubber Company LLC

1660 Leeson Lane
 Corona, CA 92879
 (800) 854-9991 • Fax (800) 637-4601
 missionrubber.com

MISSION
 RUBBER COMPANY

*Unshielded flexible
 sewer couplings that
 connect similar and
 dissimilar pipe materials
 and sizes*

MEETS:
 ASTM C 425
 ASTM C 1173
 ASTM A240/A240M
 CSA B602
 UPC 4224

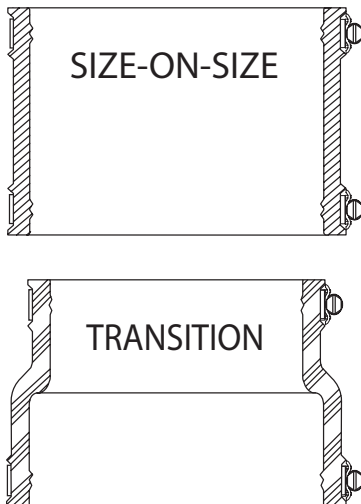


**Flex-Seal® Sewer Coupling - Submittal
 MR02 Series**

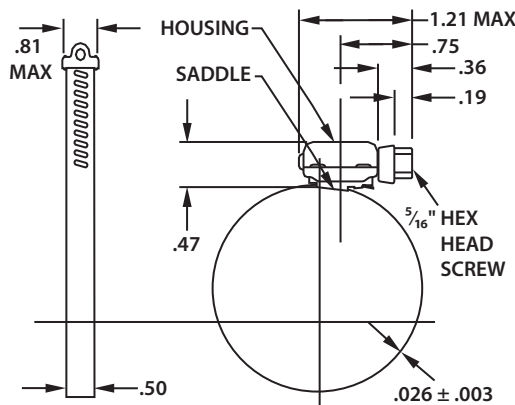
*Performance Couplings for Similar and Dissimilar Pipe Sizes
 and Materials*

PROJECT _____
 ENGINEER _____
 CONTRACTOR _____

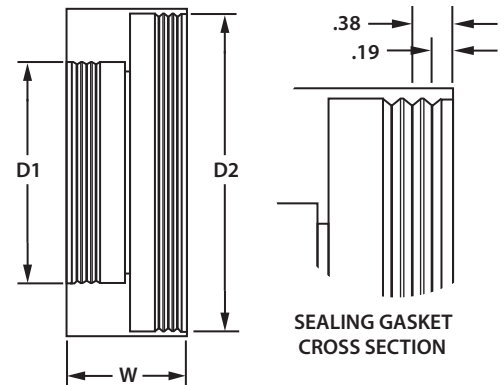
MATERIALS
 Worm Drive Clamp 300 series ASTM stainless steel
 Gasket This gasket is fabricated from a compound with high-quality elastomeric properties to meet physical testing.



WORM DRIVE CLAMP DETAILS



SEALING GASKET DETAILS



MISSION REFERENCE MR02 SERIES	SEALING GASKET DIMENSIONS		
	D1	D2	W
MR02 43	3.50	5.40	4.00
MR02 44	4.50	5.40	4.00
MR02 46	5.40	6.62	6.00
MR02 55	5.62	6.62	5.00
MR02 64	4.50	7.80	6.00
MR02 64 Eccentric	4.50	7.80	6.00
MR02 66	6.62	7.80	6.00
MR02 86	6.62	10.00	6.00
MR02 88	8.62	10.00	6.00
MR02 1008	8.62	12.45	6.50
MR02 1010	10.80	12.45	6.50
MR02 1210	10.80	14.80	6.50
MR02 1212	12.80	14.80	6.50
MR02 1512	12.80	18.30	6.00
MR02 1515	15.40	18.30	6.00
MR02 1818	18.80	22.30	10.00
MR02 2121	22.00	25.90	10.00
MR02 2424	24.90	30.30	10.00
MR02 2727	28.00	32.50	10.00

TEST	GASKET PHYSICAL TESTS (ASTM C 425)	ASTM C 425
Tensile Strength	1000 PSI minimum	D412
Elongation	250% minimum	D412
Durometer (Shore A)	55 minimum 70 maximum	D2240
Accelerated Aging	85% of original tensile strength 85% of original elongation All determined after oven aging at 70°C for 7 days	D573
Compression Set	20% maximum of original deflection	D395
Ozone Cracking	No visible cracking at 2X magnification of the gasket after 24 hours exposure in 0.5 PPHM ozone concentrations at 40°C. Testing and inspection to be on gasket which is loop-mounted to give approximately 20% elongation of outer surface.	D1149
Water Absorption	5% maximum by weight after 7 days at 70°F	D471

Used to Join - MR02 Series couplings are used to join clay to cast iron or plastic. **Mission's Flex-Seal® Unshielded Coupling** is a flexible sewer coupling designed to connect similar and dissimilar pipe materials and sizes. Coupling consists of two (2) 300 series stainless steel worm drive clamps over a molded one-piece elastomeric sealing gasket. MR02 Series couplings are available in sizes 4" to 27".

Leak-Proof Seal - Stainless steel clamps provide a positive seal when properly tightened to 60 in/lbs. of torque. Axially slotted clamps enable bands to tighten independently to accommodate variances in the outside diameters of the pipe to be joined, ensuring a water-tight, leak-proof and root-proof seal. Sealing "O" Rings are installed under each sealing clamp to prevent pipe slippage and create a more positive seal.

Corrosion Resistant - Use of 300 series stainless steel components are highly effective in a variety of environments; such as marine applications, poorly aerated or moist soils, contaminated ground conditions (particularly industrial fill sites) and where the ground water contains chloride, sulfates or bicarbonates.

Withstands Tension and Compression - Synthetic rubbers permit a substantial degree of distortion without change in basic physical resistance, unlike other manufacturers' thermoplastic coupling materials. Molded synthetic rubber gasket is strong, durable and resilient to ultraviolet rays, ozone, fungus growth, natural erosive properties and normal sewer gases. More pliable and easier to install in cold weather applications than an elastomeric PVC gasket.

Pre-Set Calibration - All Flex-Seal® Unshielded Couplings are designed to be installed with a pre-set torque wrench calibrated to 60 in/lbs. maximum to accommodate the 300 series stainless steel 5/16" hex head screw.