



**Mission Rubber Company LLC**

1660 Leeson Lane  
 Corona, CA 92879  
 (800) 854-9991 • Fax (800) 637-4601  
 missionrubber.com

**MISSION**  
 RUBBER COMPANY

**Unshielded flexible  
 sewer couplings that  
 connect similar and  
 dissimilar pipe materials  
 and sizes**

**MEETS:**  
 ASTM C 425  
 ASTM C 1173  
 ASTM A240/A240M  
 CSA B602  
 UPC 4224

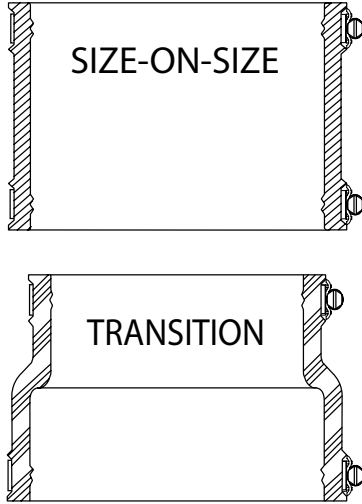


**Flex-Seal® Sewer Coupling - Submittal  
 MR56 Series**

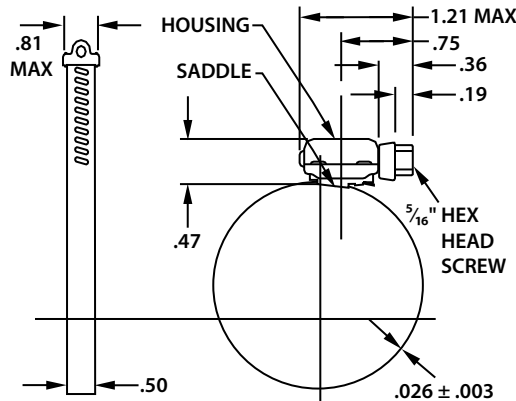
*Performance Couplings for Similar and Dissimilar Pipe Sizes  
 and Materials*

PROJECT \_\_\_\_\_  
 ENGINEER \_\_\_\_\_  
 CONTRACTOR \_\_\_\_\_

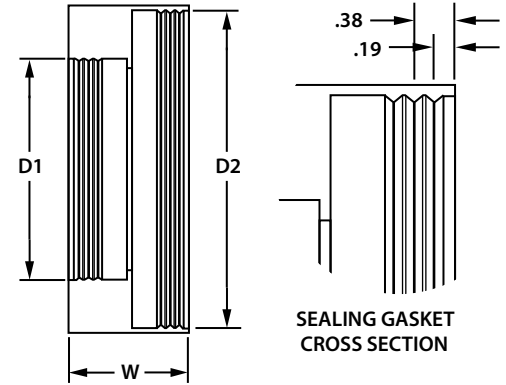
**Worm Drive Clamp Gasket** 300 series ASTM stainless steel  
 This gasket is fabricated from a compound with high-quality elastomeric properties to meet physical testing.



**WORM DRIVE CLAMP DETAILS**



**SEALING GASKET DETAILS**



MISSION REFERENCE MR56 SERIES	SEALING GASKET DIMENSIONS		
	D1	D2	W
MR56 075	1.14	1.14	2.00
MR56 100	1.40	1.40	2.00
MR56 125	1.66	1.66	2.50
MR56 15/125	1.66	1.90	2.50
MR56 15	1.90	1.90	3.50
MR56 215	1.90	2.50	3.50
MR56 22/125	1.66	2.50	2.50
MR56 22	2.50	2.50	3.50
MR56 315	1.90	3.50	4.00
MR56 32	2.50	3.50	4.00
MR56 33	3.50	3.50	4.00
MR56 415	1.90	4.50	4.00
MR56 42	2.50	4.50	4.00
MR56 43	3.50	4.50	4.00
MR56 44	4.50	4.50	4.00
MR56 44 XL	4.50	4.50	6.00
MR56 53	3.50	5.62	4.00
MR56 54	4.50	5.62	4.00
MR56 55	5.62	5.62	4.00
MR56 63	3.50	6.62	6.00
MR56 64	4.50	6.62	6.00
MR56 65 Type O	5.62	6.78	6.50
MR56 66	6.62	6.62	6.00
MR56 84	4.62	9.00	7.00
MR56 85 Type O	5.62	9.00	7.00
MR56 86	6.62	8.75	6.00
MR56 88	8.62	8.62	6.00
MR56 1006 Type O	6.70	11.00	7.00
MR56 1008	8.75	10.80	6.50
MR56 1010	10.80	10.80	6.50
MR56 1210	10.80	12.80	6.50
MR56 1212	12.80	12.80	6.50
MR56 1512	12.80	15.40	6.00
MR56 1515	15.40	15.40	6.00
MR56 1616	16.00	16.00	10.00
MR56 1815	15.40	18.80	10.00
MR56 1818	18.80	18.80	10.00
MR56 2121	22.00	22.00	10.00
MR56 2424	24.90	24.90	10.00
MR56 2727	28.00	28.00	10.00

TEST	GASKET PHYSICAL TESTS (ASTM C 425)	ASTM C 425
Tensile Strength	1000 PSI minimum	D412
Elongation	250% minimum	D412
Durometer (Shore A)	55 minimum 70 maximum	D2240
Accelerated Aging	85% of original tensile strength 85% of original elongation All determined after oven aging at 70°C for 7 days	D573
Compression Set	20% maximum of original deflection	D395
Ozone Cracking	No visible cracking at 2X magnification of the gasket after 24 hours exposure in 0.5 PPHM ozone concentrations at 40°C. Testing and inspection to be on gasket which is loop-mounted to give approximately 20% elongation of outer surface.	D1149
Water Absorption	5% maximum by weight after 7 days at 70°F	D471

**Used to Join** - MR56 Series couplings are used to join cast iron or plastic to cast iron or plastic.

**Mission's Flex-Seal® Unshielded Coupling** is a flexible sewer coupling designed to connect similar and dissimilar pipe materials and sizes. Coupling consists of two (2) 300 series stainless steel worm drive clamps over a molded one-piece elastomeric sealing gasket. MR56 Series couplings are available in sizes 3/4" to 27".

**Leak-Proof Seal** - Stainless steel clamps provide a positive seal when properly tightened to 60 in/lbs. of torque. Axially slotted clamps enable bands to tighten independently to accommodate variances in the outside diameters of the pipe to be joined, ensuring a water-tight, leak-proof and root-proof seal. Sealing "O" Rings are installed under each sealing clamp to prevent pipe slippage and create a more positive seal.

**Corrosion Resistant** - Use of 300 series stainless steel components are highly effective in a variety of environments; such as marine applications, poorly aerated or moist soils, contaminated ground conditions (particularly industrial fill sites) and where the ground water contains chloride, sulfates or bicarbonates.

**Withstands Tension and Compression** - Synthetic rubbers permit a substantial degree of distortion without change in basic physical resistance, unlike other manufacturers' thermoplastic coupling materials. Molded synthetic rubber gasket is strong, durable and resilient to ultraviolet rays, ozone, fungus growth, natural erosive properties and normal sewer gases. More pliable and easier to install in cold weather applications than an elastomeric PVC gasket.

**Pre-Set Calibration** - All Flex-Seal® Unshielded Couplings are designed to be installed with a pre-set torque wrench calibrated to 60 in/lbs. maximum to accommodate the 300 series stainless steel 5/16" hex head screw.