



Mission Rubber Company LLC

1660 Leeson Lane
 Corona, CA 92879
 (800) 854-9991 • Fax (800) 637-4601
 missionrubber.com

MISSION
 RUBBER COMPANY

*Flexible rubber
 end caps designed for
 capping cast iron, steel
 or plastic pipe ends*

MEETS:
 ASTM C564
 ASTM C1173
 ASTM A240/240M
 UPC 2101



Band-Seal® End Caps - Submittal

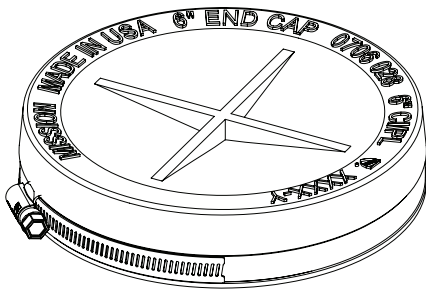
Performance End Caps for capping cast iron, steel or plastic pipe ends.

PROJECT _____

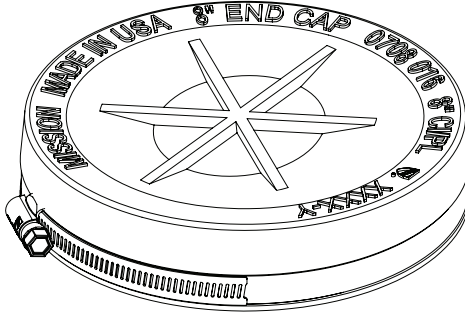
ENGINEER _____

CONTRACTOR _____

MATERIALS
 Worm Drive Clamp 301 series ASTM stainless steel
 Cap This cap is fabricated from a compound with high-quality elastomeric properties to meet physical testing.

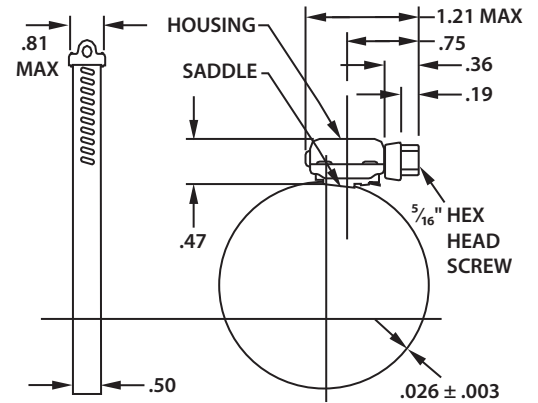


1 1/2" to 6" - 4 Molded Ribs

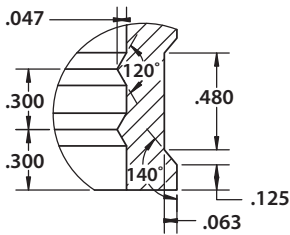


8" to 12" - 6 Molded Ribs

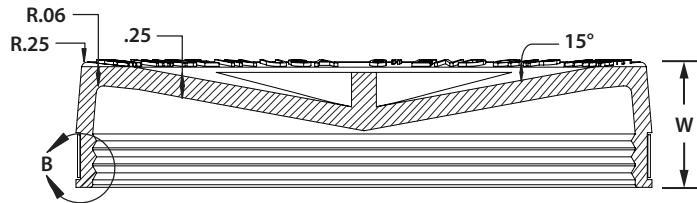
WORM DRIVE CLAMP DETAILS



DETAIL B
 SCALE 2 : 1



SEALING CAP DETAILS



SEALING CAP CROSS SECTION

MISSION REFERENCE	SIZE	SEALING CAP DIMENSIONS			
		CI	SCH 40	SDR 35	W
0701011	1 1/2"	1.90	1.90		1.44
0702019	2"	2.35	2.38		1.44
0703017	3"	3.35	3.50	3.25	1.44
0704015	4"	4.38	4.50	4.22	1.44
0705020	5"	5.30	5.56		1.42
0706028	6"	6.30	6.62	6.27	1.47
0708016	8"	8.38	8.62	8.40	1.40
0710017	10"	10.56	10.75	10.50	2.00
0712018	12"	12.50	12.75	12.50	2.00

TEST	GASKET PHYSICAL TESTS (ASTM C 564)	ASTM C 564
Tensile Strength	1500 PSI minimum	D412
Elongation	250% minimum	D412
Durometer (Shore A)	70 ± 5 @ 76°F ± 5°F	D2240
Accelerated Aging	15% maximum tensile and 20% maximum elongation deterioration. 10 points maximum increase in hardness. All determinations after oven aging for 96 hours at 158°F.	D573
Compression Set	25% maximum after 22 hours at 158°F	D395
Oil Immersion	80% maximum volume change after immersion in ASTM oil #3 for 70 hours at 212°F	D471
Ozone Cracking	No visible cracking at 2X magnification of the gasket after 100 hours exposure in 1.0 PPHM ozone concentration at 104°F. Testing and inspection to be on gasket which is loop-mounted to give approximately 20% elongation of outer surface.	
Tear Resistance	Die C 150 lbs. minimum per inch of thickness	D624
Water Absorption	20% maximum by weight after 7 days at 158°F	D471

Mission's Band-Seal® End Cap is a flexible rubber end cap designed for capping cast iron, steel or plastic pipe ends. End Cap consists of one (1) 301 series stainless steel worm drive clamp, over a molded one-piece elastomeric sealing cap. Available in sizes 1 1/2" to 12".

Leakproof - Increased band tension secures pipe end, forming a watertight seal. Strong, molded "ASTERISK" braces end cap against head pressure during testing.

Anticorrosive - Stainless steel components resist corrosion in a variety of environments.

Secure - Tight-fitting internal cone creates wedge inside pipe, balancing outward strains against steel clamp. Sealing "O" Rings under clamp prevent pipe end slippage for a reinforced joint seal.

Durable - Molded, synthetic rubber cap resists ultraviolet rays, ozone, fungus growth, natural soil erosive properties, and normal sewer gases. So strong it doesn't need the usual reinforcing plastic disk or liner. Perfect protection against entry of dirt into pipe.

Resilient - Synthetic rubbers permit considerable distortion withstanding tension and compression. More pliable and easier to install in cold weather applications than an elastomeric PVC cap.

Reusable - So easy to install and reuse that it makes an ideal permanent clean-out. **Listed by IAPMO for "Permanent Clean Out" Applications.**

Adaptable - For permanent or temporary clean outs. Independent clamp tightening adapts to different outside pipe diameters.

Pre-Set Calibration - All Band-Seal® End Caps are designed to be installed with a pre-set torque wrench calibrated to 60 in./lbs. maximum to accommodate the 300 series stainless steel 5/16" hex head screw.