

# MYERS® MS Series

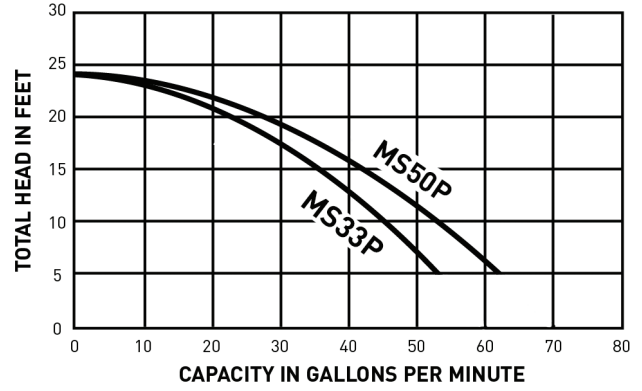
1/3 and 1/2 HP Residential Sump Pumps — Zinc/Thermoplastic Construction, Plastic Volute

## SPECIFICATIONS

Applications	Basement sumps, dewatering	
Capacities	70 GPM	265 LPM
Shut-off head	24'	7.3 m
Operation:		
Tethered: On	14"	356 mm
Off	5"	127 mm
Vertical: On	7.5"	190.5 mm
Off	3"	76 mm
Solids handling	3/16"	4.78 mm
Liquids handling	Drain water	
Continuous liquid temp	77°F	25°C
Motor	1/3 HP or 1/2 HP PSC Motor	
Electrical data	3000 RPM, 115V, 1Ø, 60Hz FLA 1/3 HP = 3.9, 1/2 HP = 4.1	
Acceptable pH range	6-9	
Shaft seal	Double lip	
Motor housing	Zinc	
Volute case	Thermoplastic	
Power cord	10'	25.4 m
Discharge, NPT	1-1/2"	
Min. sump diameter		
Float:	14"	356 mm
Vertical:	10"	254 mm

## FEATURES

- Inexpensive yet versatile sump pump designed for light-duty drain water removal
- Maintenance-free operation
- Wide-angle for 14" or larger sumps. Vertical switch or diaphragm switch for small 10" sumps
- CSA Listed
- Dual ball-bearing motor and double lip seal provide durability and longer pump life
- Durable PSC motor for years of service
- Oil-filled motor for maximum heat dissipation, continuous bearing lubrication
- Thermal overload protection with automatic reset



## MODEL NUMBERS

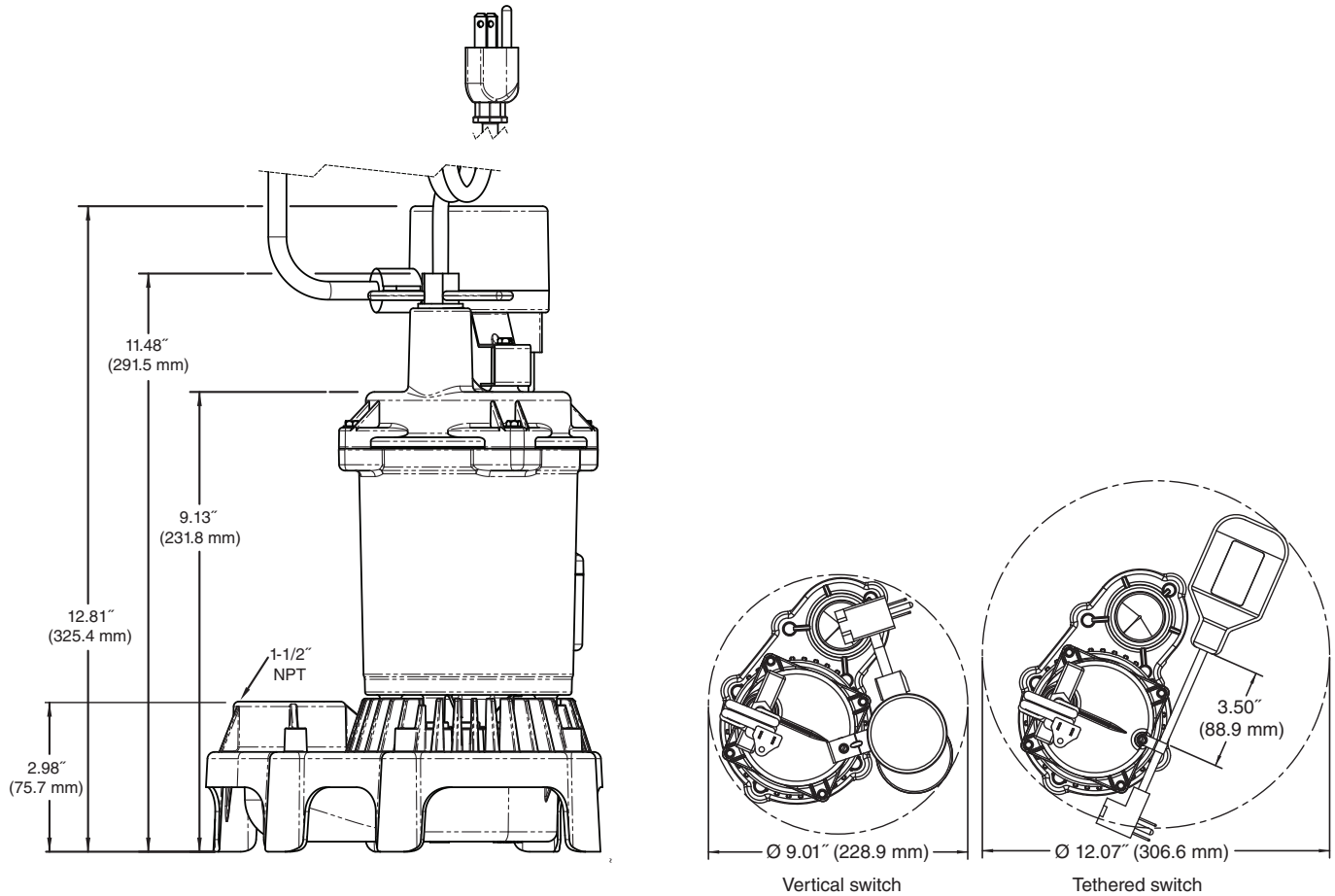
- MS33PV
- MS33PT
- MS50PV
- MS50PT

# MYERS® MS Series

1/3 and 1/2 HP Residential Sump Pumps — Zinc/Thermoplastic Construction, Plastic Volute

## DIMENSIONS

### MS33P AND MS50P SERIES



USA  
293 WRIGHT STREET, DELAVAN, WI 53115 WWW.FEMYERS.COM  
PH: 888-987-8677 ORDERS FAX: 800-426-9446

CANADA  
490 PINEBUSH ROAD, UNIT 4, CAMBRIDGE, ONTARIO, N1T 0A5  
PH: 800-363-7867 FAX # 888-606-5484

Because we are continuously improving our products and services, Pentair reserves the right to change specifications without prior notice.