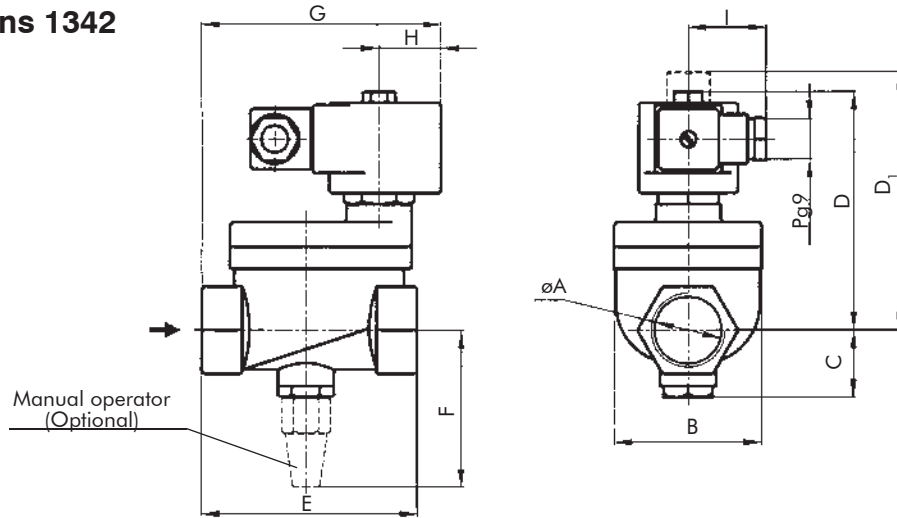


General dimensions 1342



| øA | B | C | D | D ₁ | E | F | G | H | I |
|-------------|-----|----|-----|----------------|-----|-----|-----|----|----|
| R 3/4" | 52 | 26 | 104 | 114 | 71 | 68 | 84 | 27 | 35 |
| R 1" | 67 | 30 | 108 | 118 | 96 | 72 | 104 | | |
| R 1,1/2" | 81 | 36 | 119 | 129 | 114 | 79 | 122 | | |
| R 2" | 97 | 44 | 125 | 135 | 128 | 85 | 138 | | |
| R 2,1/2"-3" | 163 | 89 | 214 | 224 | 224 | 170 | - | | |

Measurements: mm

| øA | B | C | D | D ₁ | E | F | G | H | I |
|-------------|------|------|------|----------------|------|------|------|------|------|
| R 3/4" | 2.05 | 1.02 | 4.09 | 4.49 | 2.80 | 2.68 | 3.31 | 1.06 | 1.38 |
| R 1" | 2.64 | 1.18 | 4.25 | 4.65 | 3.78 | 2.83 | 4.09 | | |
| R 1,1/2" | 3.19 | 1.42 | 4.69 | 5.08 | 4.49 | 3.11 | 4.80 | | |
| R 2" | 3.82 | 1.73 | 4.92 | 5.31 | 5.04 | 3.35 | 5.43 | | |
| R 2,1/2"-3" | 6.42 | 3.50 | 8.43 | 8.82 | 8.82 | 6.69 | - | | |

Measurements: ins.

Special constructions

Stainless steel body:

- AISI304: change letter **B** for **S** in the catalog N^o.
Example: 1342ST08.
- AISI316: change letter **B** for **I** in the catalog N^o.
Example: 1342IT08.

Coil characteristics

| Electric power supply | Coil type | Power W | VA (volt-amper) | | Maximum temperature | | Available tensions |
|-----------------------|-----------|---------|-----------------|---------|---------------------|-----|--------------------|
| | | | Inrush | Holding | ° C | ° F | |
| AC 50 Hz | MF11C | 11 | 40 | 22 | 155 | 311 | 1 |
| | MH11C | 11 | 40 | 22 | 180 | 356 | 1 |
| AC 60 Hz | MF13C | 13 | 45 | 27 | 155 | 311 | 2 |
| | MH13C | 13 | 45 | 27 | 180 | 356 | 2 |
| DC | MH19C | 19 | 19 | 19 | 180 | 356 | 3 |

1-(12,24,110,220,240)V 2-(12,24,110,120,220,240)V 3-(12,24,110,220)V

| Options | Prefix | Suffix | Examples |
|--|------------|------------|--------------------|
| Water, weather and saline corrosion proof coils. | YC | | YC1342BA08 |
| Explosion and weather proof coils. | ZC | | ZC1342BA08 |
| Weather proof housing. | Y | | Y1342BA08 |
| Explosion and weather proof housing. | Z | | Z1342BA08 |
| Manual operator: on main orifice. (**) | | - M | 1342BA08-M |
| Manual operator on pilot orifice. (*)(**) | | -MP | 1342BA08-MP |
| NPT connections | | T | 1342BA08T |
| Energized coil indicator light | See coils. | | |

(*) PTFE seat not available

(**) Only NC versions.

Recommendations for installation.

Place a strainer upstream the valve with a porosity ≤ 100µ. Mount the valve preferably over horizontal pipeline with the coil upright. The valve input pressure must always be > than the output pressure. In order to allow the normally closed or normally open valve to open, the minimum pressure indicated for each model must be respected.

Application according to seat material

| Seat material | Buna "N" | Neoprene | EPDM | FKM | PTFE |
|---------------------|--|--|----------------------------------|---|------------------------------------|
| Maximum temperature | +80 °C / 176 °F | +80 °C / 176 °F | +145 °C / 293 °F | +150 °C / 302 °F | +180 °C / 356 °F |
| Uses | Water, air, light oils. Neutral gases. Kerosene, low and medium vacuum | Oxygen, alcohol, argon, other non-corrosive light gases and liquids, Freon 12. | Water steam, hot water, acetone. | Benzene, naphta, aromatics, etc. hot gases, diesel oil. | Steam, hot oils, corrosive fluids. |