



TB Series True Union Ball Valves

2-1/2" TO 6" PVC AND CPVC

KEY FEATURES

- Available in PVC and CPVC
- Full Port Design Through 4"
- Reversible PTFE Seats
- Double O-Ring Stem Seals
- Easily Actuated
- NSF / ANSI 61 and NSF / ANSI 372 Listed*
- Actuator-Ready Design

OPTIONS

- Pneumatic and Electric Actuators
- Lockouts Available
- Gear Operator
- 2" Square Operating Nuts
- Stem Extensions
- Spring Return Handle

MATERIALS

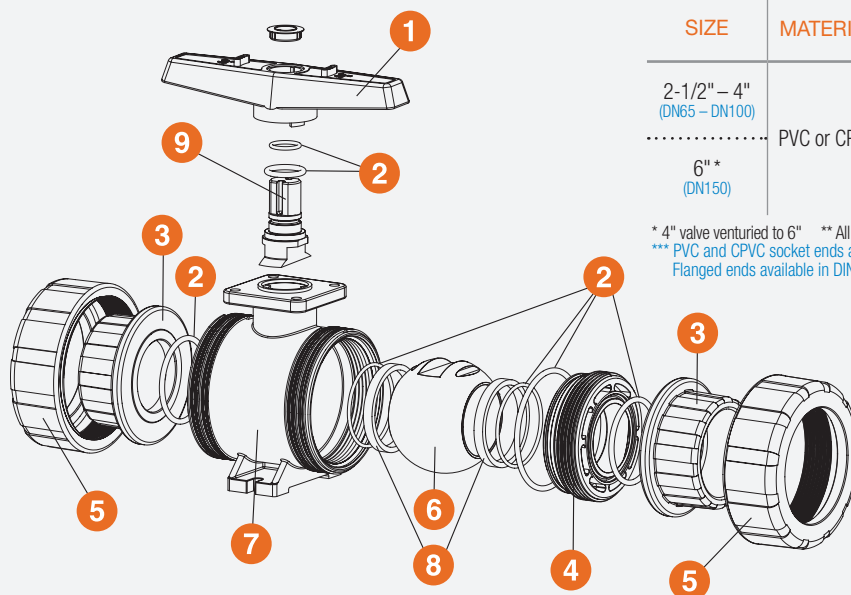
- PVC Cell Class 12454 per ASTM D1784
- CPVC Cell Class 23447 per ASTM D1784
- FPM and EPDM O-Ring Seals



Certified to
NSF/ANSI 61 & 372
2-1/2" – 4"

TECHNICAL INFORMATION

EXPLODED VIEW



SELECTION CHART

SIZE	MATERIAL	END CONNECTION	SEALS	PRESSURE RATING
2-1/2" – 4" (DN65 – DN100)	PVC or CPVC	Socket, Threaded or Flanged**	FPM or EPDM	235 PSI @ 70°F 16 Bar @ 21°C Non-Shock
6"* (DN150)		Flanged		150 PSI @ 70°F 10 Bar @ 21°C Non-Shock

* 4" valve venturied to 6" ** All flanged valves are rated to 150 PSI @ 70°F Non-Shock (10 Bar @ 21°C)
*** PVC and CPVC socket ends available to ISO 727-1 and threaded ends to BS21.
Flanged ends available in DIN / EN PN10.

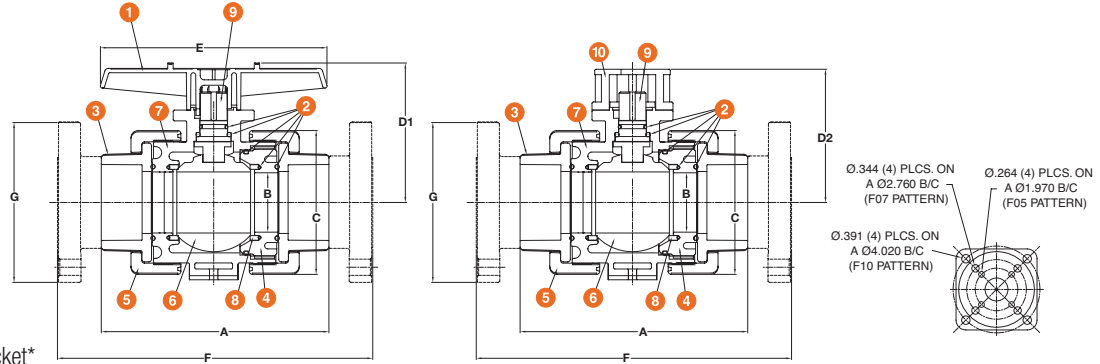
TB Series True Union Ball Valves

2-1/2" TO 6" PVC AND CPVC

TECHNICAL INFORMATION, CONTINUED

PARTS LIST

1. Handle
2. O-Ring Seals
3. End Connector
4. Seal Retainer
5. Union Nut
6. Ball
7. Body
8. PTFE Seat
9. Stem
10. Actuator Mounting Bracket*



* Mounting bracket sold separately

DIMENSIONS

SIZE in / DN	A in / mm	B in / mm	C in / mm	D1 in / mm	D2 in / mm	E in / mm	F in / mm	G in / mm	WEIGHT lbs / kg	
									SOC / THD	FLANGED
2-1/2 / 65	10.68 / 271	2.75 / 70	6.66 / 169	6.46 / 164	6.17 / 157	10.50 / 267	14.65 / 372	7.00 / 178	11.30 / 5.13	15.30 / 6.94
3 / 80*	10.56 / 268	2.75 / 70	6.66 / 169	6.46 / 164	6.17 / 157	10.50 / 267	14.60 / 371	7.90 / 200	11.30 / 5.13	15.30 / 6.94
4 / 100*	12.30 / 312	3.81 / 97	8.56 / 217	7.62 / 194	6.64 / 168	10.50 / 267	17.26 / 438	8.96 / 228	18.50 / 8.39	25.70 / 11.66
6 / 150*	N/A	3.81 / 97	8.56 / 217	7.62 / 194	6.64 / 168	10.50 / 267	19.26 / 489	11.00 / 279	N/A	30.75 / 13.95

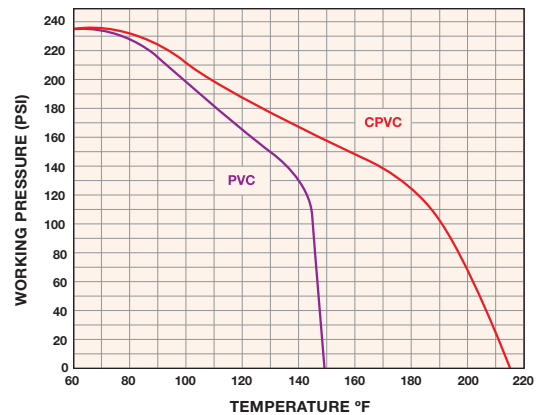
Dimensions are subject to change without notice – consult factory for installation information

* Metric End Connections Available In: BSP – Straight Thread, BSP TR – Tapered Thread and Metric Socket

Cv VALUES

SIZE in / DN	Cv VALUES	SIZE in / DN	Cv VALUES
2-1/2 / 65	340.0	4 / 100	600.0
3 / 80	490.0	6 / 150	550.0

OPERATING TEMPERATURE/PRESSURE



Hayward is a registered trademark of Hayward Industries, Inc. © 2018 Hayward Industries, Inc.

USA: 1.888.429.4635 • Fax: 1.888.778.8410 • One Hayward Industrial Drive • Clemmons, NC 27012 • Email: hfcsales@hayward.com
 Canada: 1.888.238.7665 • Fax: 1.905.829.3636 • 2880 Plymouth Drive • Oakville, ON L6H 5R4 • Email: hflowcanada@hayward.com
 Visit us at: haywardflowcontrol.com