

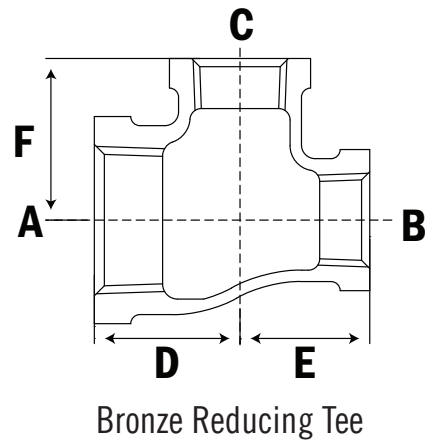
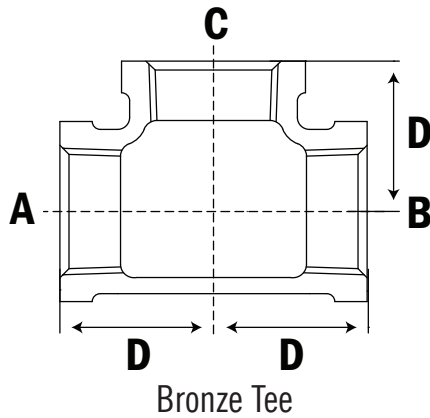
SUBMITTAL DATA SHEET

No-Lead Threaded Pipe Fittings
Bronze Tee - 72230

FNPT x FNPT x FNPT



A.Y. McDonald Mfg. Co. No-Lead Threaded Pipe Fittings are constructed from heavy duty bronze and are rated for commercial, industrial and residential applications up to 125 WOG.



Model Number	Size (A, B, C)	Dimensions D
72230	1/8	0.55
72230	1/4	0.71
72230	3/8	0.83
72230	1/2	1.02
72230	3/4	1.18
72230	1	1.42
72230	1 1/4	1.69
72230	1 1/2	1.85
72230	2	2.13
72230	2 1/2	2.72
72230	3	3.07
72230	4	3.78

Model Number	Size	Dimensions					
		A	B	C	D	E	F
72230	1/2 x 1/4	1/2"	1/2"	1/4"	0.87	0.87	0.87
72230	1/2 x 3/4	1/2"	1/2"	3/4"	1.11	1.11	1.08
72230	3/4 x 1/4	3/4"	3/4"	1/4"	1.05	1.00	1.08
72230	3/4 x 1/2	3/4"	3/4"	1/2"	1.06	1.08	1.10
72230	3/4 x 1/2 x 1/2	3/4"	1/2"	1/2"	1.06	1.02	1.10
72230	3/4 x 1/2 x 3/4	3/4"	1/2"	3/4"	1.18	1.10	1.18
72230	3/4 x 1	3/4"	3/4"	1"	1.31	1.31	1.30
72230	1 x 1/4	1"	1"	1/4"	1.11	1.11	1.22
72230	1 x 1/2	1"	1"	1/2"	1.18	1.20	1.22
72230	1 x 1/2 x 1	1"	1/2"	1"	1.42	1.22	1.42
72230	1 x 3/4	1"	1"	3/4"	1.30	1.18	1.30
72230	1 x 3/4 x 3/4	1"	3/4"	3/4"	1.30	1.18	1.30
72230	1 x 3/4 x 1	1"	3/4"	1"	1.42	1.30	1.42
72230	1 1/4 x 1/2	1 1/4"	1 1/4"	1/2"	1.30	1.29	1.42
72230	1 1/4 x 3/4	1 1/4"	1 1/4"	3/4"	1.38	1.39	1.50
72230	1 1/4 x 1	1 1/4"	1 1/4"	1"	1.54	1.52	1.61
72230	1 1/2 x 3/4	1 1/2"	1 1/2"	3/4"	1.42	1.42	1.61
72230	1 1/2 x 1	1 1/2"	1 1/2"	1"	1.54	1.55	1.73
72230	1 1/2 x 1 1/4	1 1/2"	1 1/2"	1 1/4"	1.73	1.72	1.81
72230	2 x 1/2	2"	2"	1/2"	1.49	1.49	1.88
72230	2 x 3/4	2"	2"	3/4"	1.46	1.47	1.85
72230	2 x 1	2"	2"	1"	1.57	1.59	1.97
72230	2 x 1 1/4	2"	2"	1 1/4"	1.77	2.04	2.05
72230	2 x 1 1/2	2"	2"	1 1/2"	1.89	1.89	2.09
72230	3 x 2	3"	3"	2"	2.52	2.52	2.87

SUBMITTAL INFORMATION

- Standards

NSF/ANSI 61-4 & NSF/ANSI 372
ASTM B584 UNS Alloy C89833 (Casting)
ASME B16.15 (Dimensions)
ANSI/ASME B1.20.1 (Threads)

- Markings

Manufacturer's logo, Size, Country of Origin, "NL"

NO-LEAD: The weighted average of the wetted surface of this no-lead product contacted by consumable water contains less than one quarter of one percent (0.25%) lead.



A.Y. McDonald Mfg. Co.
4800 Chavenelle Rd
Dubuque, IA 52002

Toll Free: 1-800-292-2737
sales@aymcdonald.com
aymcdonald.com

A.Y. McDonald considers the information on this assembly drawing correct when published. Item and option availability, including specifications, are subject to change without notice.

Submitted by: