

Product data sheet

Characteristics

9001KR1U

30mm Push Button, Type K, push button, full guard, universal

Product availability : Stock - Normally stocked in distribution facility



Price* : 38.60 USD



Main

| | |
|---------------------------------|------------------------------------|
| Range of product | Harmony 9001K |
| Product or component type | Head for spring return push-button |
| Device short name | 9001K |
| Operator profile | Flush, marking: unmarked |
| Operator additional information | Set of 7 color caps |

Complementary

| | |
|------------------------------|------------------------|
| Mounting diameter | 1.18 in (30 mm) |
| Shape of signaling unit head | Round |
| Type of operator | Spring return |
| Product weight | 0.19 lb(US) (0.087 kg) |

Ordering and shipping details

| | |
|-----------------------|-------------------------------|
| Category | 21426 - 9001 K (NOT KA,KM,KX) |
| Discount Schedule | CS1 |
| GTIN | 00785901874706 |
| Nbr. of units in pkg. | 1 |
| Package weight(Lbs) | 0.23999999999999999 |
| Returnability | Y |
| Country of origin | MX |

Offer Sustainability

| | |
|------------------------|---|
| RoHS (date code: YYWW) | Compliant - since 0921 - Schneider Electric declaration of conformity Schneider Electric declaration of conformity |
| REACH | Reference not containing SVHC above the threshold |

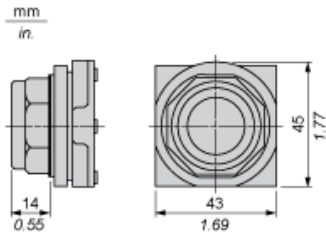
Reference not containing SVHC above the threshold

| | |
|---------------------------|--|
| California proposition 65 | WARNING: This product can expose you to chemicals including: |
| ----- Substance 1 | Lead and lead compounds, which is known to the State of California to cause cancer and birth defects or other reproductive harm. |
| ----- More information | For more information go to www.p65warnings.ca.gov |

Contractual warranty

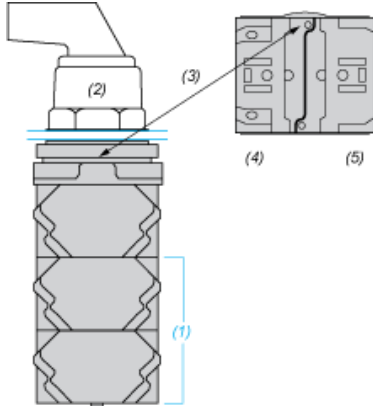
| | |
|-----------------|-----------|
| Warranty period | 18 months |
|-----------------|-----------|

Dimensions



Contact Block Mounting Position

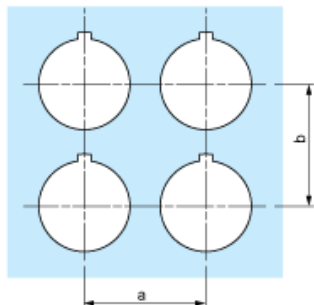
Top and Rear views



- (1) It is possible to mount up to 3 levels of contacts blocks (maximum of 6 contacts blocks)
- (2) Operator
- (3) Locating notch
- (4) Side 1
- (5) Side 2

Panel Cut-Out

Clearance



| Legend plate | a min. | | b min. | |
|--------------|--------|------|--------|------|
| | mm | in. | mm | in. |
| 9001KN2•• | 57.2 | 2.25 | 44.5 | 1.75 |
| 9001KN3•• | 57.2 | 2.25 | 50.8 | 2.00 |

Individual Cut-outs Details

2 alternatives

mm
in.

