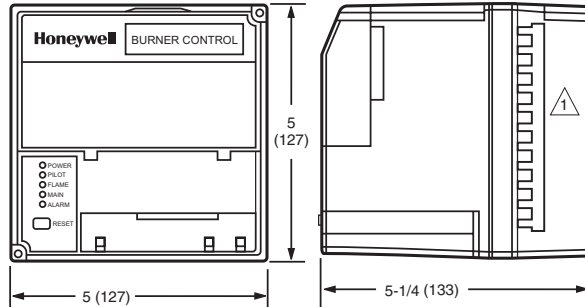


RM7895; EC7895 On-Off Primary Control with Prepurge



Dimensions in inches (millimeters)



REMOVE ONLY FOR TERMINAL TEST ACCESS. M5003B

Microprocessor-based integrated primary burner control for automatically fired gas, oil, or combination fuel single burner applications. Provides level of safety, functional capability and features beyond conventional controls.

- Functions include automatic burner sequencing, flame supervision, system status indication, system or self diagnostics and troubleshooting.

- Subbase, amplifier, and prepurge timer are required for operation.
- Options include PC interface, keyboard display module, DATA CONTROLBUS™ MODULE, remote display module, first-out expanded annunciator, and COMBUSTION SYSTEM MANAGER™ software.
- Five LEDs provide sequence information.
- Interchangeable plug-in flame amplifiers.
- Optional local or remote annunciation of operation and fault information.
- Nonvolatile memory retains history files and sequencing status after power loss.
- Optional remote reset capability.
- Optional report generation. Selectable relight or lockout on loss of flame.
- Airflow switch check.

Application: On-Off Primary Control with Prepurge

Interlocks: Selectable

PrePurge: Determined by ST7800A Purge Timer Card

Required Components: Q7800 Universal Wiring Subbases, Flame Signal Amplifier and ST7800A Plug-in Purge Timer Card

Frequency: 50 Hz; 60 Hz (±10%)

Vibration: 0.5 G environment

Shipping and Storage Temperature Range: -40°F to +140°F (-40°C to +60°C)

Approximate, Dimensions: 5 in. wide x 5 in. high x 5 1/4 in. deep with Q7800A Subbase x 6 3/32 in. deep with Q7800B Subbase (127 mm wide x 127 mm high x 133 mm deep with Q7800A Subbase x 155 mm deep with Q7800B Subbase)

Weight lb. (kg): 1 lb 15 oz (0.9 kg)

Approvals, Swiss RE: Acceptable

Used With: 7800 Series Amplifiers (Except RM7895E1002/U uses R7847 ONLY)

Material Number	Voltage	Pilot Type	AirFlow Check	Delayed Main Valve	Flame Establishing Period - Main	Flame Establishing Period - Pilot	Approvals, Underwriters Laboratories Inc.	Approvals, CSA	Approvals, Control Safety Devices	Approvals, Factory Mutual	Comments
EC7895A1010/U	220 to 240 Vac (+10, -15%)	intermittent		No	Intermittent	4 sec or 10 sec				Report No. 1D0A1.AF	
EC7895C1000/U	220 to 240 Vac (+10, -15%)	interrupted		Yes	10 sec	4 sec or 10 sec				Report No. 1D0A1.AF	
RM7895A1014/U	120 Vac (+10, -15%)	intermittent		No	Intermittent	4 sec or 10 sec	Component Recognized, File No. MP268; Guide No. MCCZ.	Certified, File No. LR95329-3.	Acceptable: CSD-1	Report No. OX4A5.AF	
RM7895A1048/U	120 Vac (+10, -15%)	intermittent		No	Intermittent	4 sec or 10 sec	Component Recognized, File No. MP268; Guide No. MCCZ.	Certified, File No. LR95329-3.	Acceptable: CSD-1	Report No. OX4A5.AF	Includes ignition cut-out during PFEP and special sequence for early spark termination
RM7895B1013/U	120 Vac (+10, -15%)	intermittent	Dynamic	No	Intermittent	4 sec to 10 sec	Component Recognized, File No. MP268; Guide No. MCCZ.	Certified, File No. LR95329-3.	Acceptable: CSD-1	Report No. OX4A5.AF	
RM7895C1012/U	120 Vac (+10, -15%)	interrupted		Yes	10 sec	4 sec or 10 sec	Component Recognized, File No. MP268; Guide No. MCCZ.	Certified, File No. LR95329-3.	Acceptable: CSD-1	Report No. OX4A5.AF	
RM7895C1020/U	120 Vac (+10, -15%)	interrupted		Yes	10 sec	10 sec	Component Recognized, File No. MP268; Guide No. MCCZ.	Certified, File No. LR95329-3.	Acceptable: CSD-1	Report No. OX4A5.AF	Includes ignition cut-out during PFEP and special sequence for early spark termination
RM7895D1011/U	120 Vac (+10, -15%)	interrupted	Dynamic	Yes	10 sec	4 sec or 10 sec	Component Recognized, File No. MP268; Guide No. MCCZ.	Certified, File No. LR95329-3.	Acceptable: CSD-1	Report No. OX4A5.AF	
RM7895E1002/U	120 Vac (+10, -15%)	intermittent		No	Intermittent	15 sec or 30 sec	Component Recognized, File No. MP268; Guide No. MCCZ.	Certified, File No. LR95329-3.	Acceptable: CSD-1	Report No. OX4A5.AF	Higher Flame Sensor Voltage for Infra Red Heater Applications