

# Gas Valve Actuators

## V4062 Off-Lo-Hi Fluid Power Gas Valve Actuators



Use with V5055 or V5097 Gas Valves to control gas supply for commercial and industrial burners. Valve opens to low fire position when power is applied; valve opens all the way on demand.

- Provide final safety shutoff service when used with V5055 or V5097 gas valve.
- One-second maximum closing time.
- Continuously displays the valve position with a red indicator when open and a yellow indicator when closed.
- Mount in any position directly to valve bonnet with three setscrews.
- Provide final safety shutoff service when used with V5055 or V5097 Gas Valves.

**Electrical Ratings:** 120 Vac

**Frequency:** 60 Hz

**Maximum Safe Operating Pressure (psi):** 5 psi

**Maximum Safe Operating Pressure (kPa):** 34 kPa

**Temperature Range:** -40°F to +150°F (-40°C to +66°C)

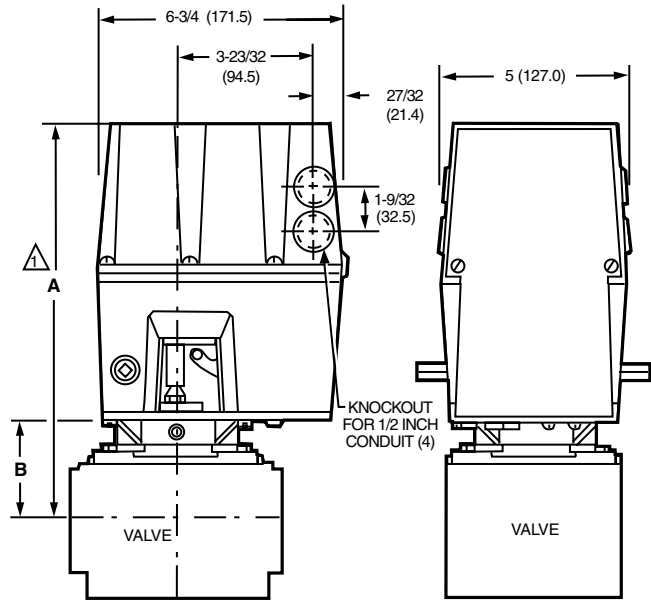
**Used With:** V5034; V5055; V5097; VE5000

**Approvals, CSA:** When used with V5055 and V5097: Certified General listed File No. 158158, Class 3371 for USA and Canada

**Approvals, Underwriters Laboratories Inc.:** When used with V5055A-E (3/4 to 4 in.) or V5097A-E (3/4 to 3 in.): Listed, File No. MH1639 Guide No. YIOZ

**Approvals, Swiss RE:** When used with V5055 or V5097: Acceptable

Dimensions in inches (millimeters)



△ ALLOW 4 IN. (101.6 MM) CLEARANCE FOR ACTUATOR REMOVAL.

| VALVE SIZE<br>INCH | V5055  |       |         |       | V5097  |     |       |    |
|--------------------|--------|-------|---------|-------|--------|-----|-------|----|
|                    | DIM A  |       | DIM B   |       | DIM A  |     | DIM B |    |
|                    | IN.    | MM    | IN.     | MM    | IN.    | MM  | IN.   | MM |
| 3/4                | 11-1/8 | 282.6 | 2-3/4   | 69.9  | 11-1/8 | 283 | 2-3/4 | 70 |
| 1                  | 11-1/8 | 282.6 | 2-3/4   | 69.9  | 11-1/8 | 283 | 2-3/4 | 70 |
| 1-1/4              | 11-1/8 | 282.6 | 2-3/4   | 69.9  | 11-1/8 | 283 | 2-3/4 | 70 |
| 1-1/2              | 11-1/8 | 282.6 | 2-3/4   | 69.9  | 11-1/8 | 283 | 2-3/4 | 70 |
| 2                  | 11-1/4 | 285.8 | 2-7/8   | 73.0  | 11-3/4 | 298 | 3-3/8 | 86 |
| 2-1/2              | 11-3/4 | 298.5 | 3-3/8   | 85.7  | 11-3/4 | 298 | 3-3/8 | 86 |
| 3                  | 11-3/4 | 298.5 | 3-3/8   | 85.7  | 11-3/4 | 298 | 3-3/8 | 86 |
| 4                  | 14-1/8 | 358.8 | 5-13/16 | 147.6 | —      | —   | —     | —  |

M10981A

| Material Number | Internal Auxiliary Switch          | Timing                                 | Contact Ratings   | Auxiliary Switch Range   | Description   | Comments                       | Includes                                  |
|-----------------|------------------------------------|--|---|--|---|--------------------------------|---|
| V4062A1008/U    | No                                 | Opening – 26 sec;<br>Closing – < 1 sec |   |  | Low pressure HI-LO-OFF actuator for use with V5055B and V5097B valve bodies                               |                                | Damper Shaft                              |
| V4062A1123/U    | Yes                                | Opening – 26 sec;<br>Closing – < 1 sec |   | 120 Vac – 9.8 AFL, 58.8 ALR, 1/2 hp; 240 Vac – 4.9 AFL, 29.4 ALR, 1/2 hp | Low pressure HI-LO-OFF actuator for use with V5055B and V5097B valve bodies                               |                                | Damper Shaft with return spring installed |
| V4062A1131/U    | No                                 | Opening – 13 sec;<br>Closing – < 1 sec |   |  | Low pressure HI-LO-OFF actuator for use with V5055B and V5097B valve bodies                               |                                | Damper Shaft                              |
| V4062A1156/U    | No                                 | Opening – 26 sec;<br>Closing – < 1 sec |   |  | Low pressure HI-LO-OFF actuator for use with V5055B and V5097B valve bodies                               | For Series 60 Floating Control |   |
| V4062A1198/U    | Yes - adjusted to 90 degree stroke | Opening – 13 sec;<br>Closing – < 1 sec |   | 120 Vac – 9.8 AFL, 58.8 ALR, 1/2 hp; 240 Vac – 4.9 AFL, 29.4 ALR, 1/2 hp | Low pressure HI-LO-OFF actuator for use with V5055B and V5097B valve bodies                               |                                | Damper Shaft with return spring installed |
| V4062D1002/U    | No                                 | Opening – 26 sec;<br>Closing – < 1 sec | Proof of Closure (Factory Mutual) Switch – 9.8 AFL, 58.8 ALR, 1/2 hp; 4.9 AFL, 29.4 ALR, 1/2 hp |  | HI-LO-OFF actuator with Proof of Closure normally used on V5055C, E/V5907C, E valve bodies (Low Pressure) |                                | Damper Shaft                              |
| V4062D1010/U    | No                                 | Opening – 13 sec;<br>Closing – < 1 sec | Proof of Closure (Factory Mutual) Switch – 9.8 AFL, 58.8 ALR, 1/2 hp; 4.9 AFL, 29.4 ALR, 1/2 hp |  | HI-LO-OFF actuator with Proof of Closure normally used on V5055C, E/V5907C, E valve bodies (Low Pressure) |                                | Damper Shaft                              |