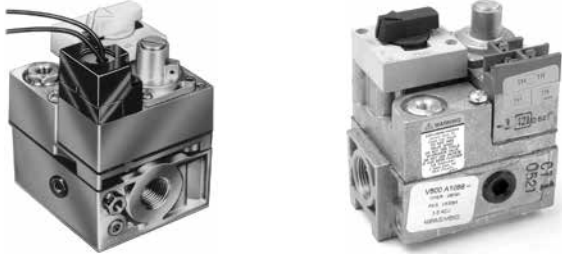


V400 Line Voltage; V800 Low Voltage Standing Pilot Gas Controls



Ignition Type: Standing Pilot
Application: Single Stage
Type of Fuel: Natural (LP if conversion kit included)
Body Pattern: Straight-through
Pilot Gas Outlet: Compression fitting for 1/4 in. OD tubing
Pressure Tapping: Outlet pressure tap: 1/8 in. NPT with plug
Capacity (kBtuh):
 1/2 x 1/2 inlet x outlet – 225,000 BTU/hr 1 in. PD; 23,000 BTU/hr minimum; 225,000 BTU/hr maximum
 1/2 x 3/4 inlet x outlet – 250,000 BTU/hr 1 in. PD; 23,000 BTU/hr minimum; 290,000 BTU/hr maximum
 3/4 x 3/4 inlet x outlet – 335,000 BTU/hr 1 in. PD; 34,000 BTU/hr minimum; 425,000 BTU/hr maximum
Pressure Ratings (psi): 1/2 psi
Pressure Ratings (kPa): 3.5 kPa
Frequency: 60 Hz
Operating Temperature Range: 32°F to 175°F (0°C to 79°C)

Used on gas fired standing pilot appliances with 30 mV thermocouple. These gas controls include a manual gas valve, safety shutoff, single millivoltage automatic operator, pressure regulator, pilot gas filter and flow adjustment, pressure tapping, and thermocouple connector.

- Include pilot flow adjustment screw.
- Easy to install, adjust and service; all adjustments and connections are accessible from top of control.
- Add separate energy cutoff (ECO) where codes call for dual safety shutoff.
- Complete safety shutoff on pilot flame failure.
- LITE-RITE (OFF-PILOT-ON) lighting sequence.

Mounting: 0 to 90 degrees in any direction from the upright position of the gas control knob, including vertically.

Approvals, Underwriters Laboratories Inc.: UL Component
 Recognized MCCZ2.MH5323

Approvals, CSA: CSA International: 112395

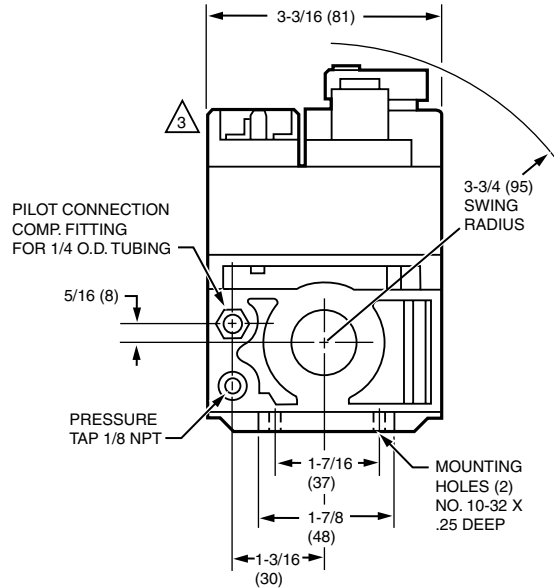
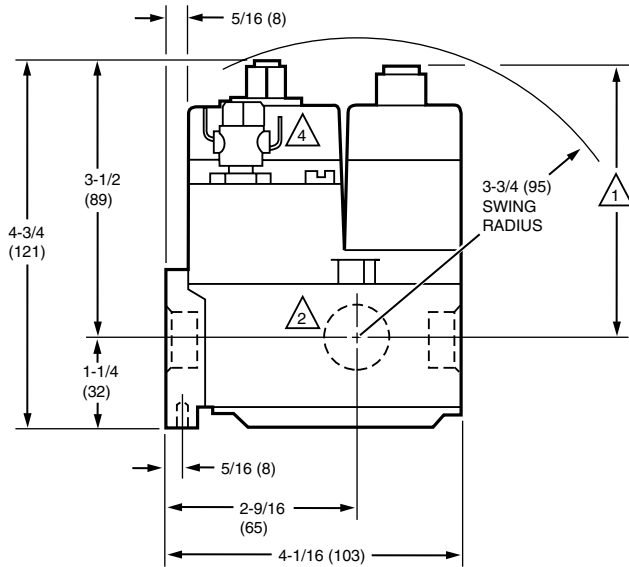
Accessories:

- 390427A/U** – One 3/4 x 1/2 in. reducer bushing
- 390427B/U** – One 1/2 inch x 3/8 inch reducer bushing
- 390427E/U** – Two 3/4 x 1/2 in. reducer bushings
- 390795/U** – Remote Gas Cock Knob
- 391936/U** – Single Stage LP to Natural Gas Conversion Kit. 3" to 5" adjustment range. Includes regulator spring, o-ring, screw and cap
- 391937/U** – Single Stage Natural to LP Gas Conversion Kit. 8" to 12" adjustment range. Includes regulator spring, o-ring, screw and cap
- 392451-1/U** – ECO adapter with 1/4" x 0.032" quick-connect terminals for the V800 or the VS820 family.

Material Number	Voltage	Opening Characteristics	Inlet/Outlet Size (in.)	Pressure Regulator Setpoint (in. wc)	Pressure Regulator Setpoint (kPa)	Electrical Connections	Includes	Comments
V400A1095/U	120 Vac	Standard	3/4 in. NPT x 3/4 in. NPT with 1/2 in. NPT side outlets	3.5 in. WC	0.87 kPa	39" Leadwires with Conduit Cover	One 1/2 x 3/8 in. reducer bushing Two 3/4 x 1/2 in. reducer bushings	–
V800A1070/U	24 Vac	Standard	1/2 in. NPT x 3/4 in. NPT with 1/2 in. NPT side outlets	3.5 in. WC	0.87 kPa	Combination screw and 1/4 in. male quick connects.	One 1/2 x 3/8 in. reducer bushing One 3/4 x 1/2 in. reducer bushing Natural to LP Conversion Kit Q340 Thermocouple	–
V800A1088/U	24 Vac	Standard	3/4 in. NPT x 3/4 in. NPT with 1/2 in. NPT side outlets	3.5 in. WC	0.87 kPa	Combination screw and 1/4 in. male quick connects.	One 1/2 x 3/8 in. reducer bushing Two 3/4 x 1/2 in. reducer bushings Natural to LP Conversion Kit Q340 Thermocouple	–
V800A1161/U	24 Vac	Standard	1/2 in. x 1/2 in.	3.5 in. WC	0.87 kPa	Combination screw and 1/4 in. male quick connects.	–	Available in Canada only
V800A1179/U	24 Vac	Standard	3/4 in. x 3/4 in.	3.5 in. WC	0.87 kPa	Combination screw and 1/4 in. male quick connects.	–	Available in Canada only
V800A1476/U	24 Vac	Standard	1/2 in. x 3/4 in.	3.5 in. WC	0.87 kPa	Combination screw and 1/4 in. male quick connects.	One 3/4 x 1/2 in. reducer bushing Natural to LP Conversion Kit	–
V800A1591/U	24 Vac	Standard	3/4 in. x 3/4 in.	3.5 in. WC	0.87 kPa	Combination screw and 1/4 in. male quick connects.	Two 3/4 x 1/2 in. reducer bushings Natural to LP Conversion Kit	–
V800C1052/U	24 Vac	Step	3/4 in. NPT x 3/4 in. NPT with 1/2 in. NPT side outlets	Step Setting: 0.9 in. WC non-adjustable; Full Rate: 3.5 in. wc	Step Setting: 0.22 kPa; Full Rate: 0.87 kPa	Combination screw and 1/4 in. male quick connects.	One 1/2 x 3/8 in. reducer bushing Two 3/4 x 1/2 in. reducer bushings	–

Combination Gas Controls

Dimensions in inches (millimeters)



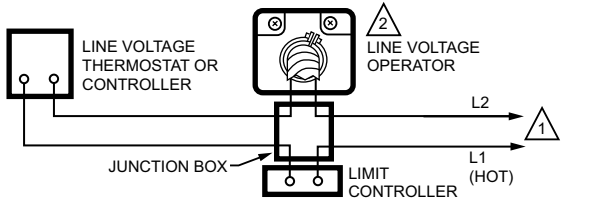
1 WITH V5306 (ILLUSTRATED), V5307 OR 5390 PRESSURE REGULATOR: 24V MODELS—3-1/2 (89), 120V MODEL—3-5/8 (92)
MANUAL MODELS—2-13/16 (71), FOR V5308 ADD 5/8 (16) TO DIMENSIONS GIVEN.

2 SIDE OUTLETS—LEFT AND RIGHT HAND. STANDARD ONLY ON TRADELINE MODELS.

3 CONTROL WITH 24V VALVE OPERATOR SHOWN. LINE VOLT MODEL HAS COVER FOR CONDUIT CONNECTION (TOP SURFACE).

M16547A

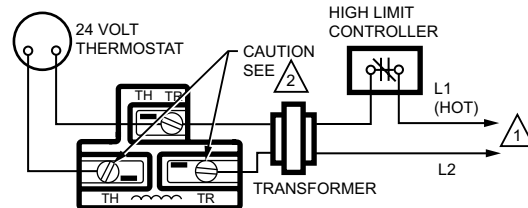
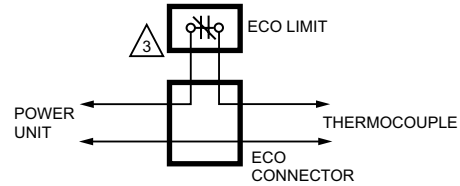
4 ECO CONNECTOR ON STANDARD CAPACITY V800 ONLY.



1 POWER SUPPLY. PROVIDE DISCONNECT MEANS AND OVERLOAD PROTECTION AS REQUIRED.

2 LINE VOLTAGE ENCLOSURE NOT PART OF GAS CONTROL. LINE VOLTAGE GAS CONTROLS MUST BE USED IN AN OEM APPROVED ENCLOSURE.

M23300



1 POWER SUPPLY. PROVIDE DISCONNECT MEANS AND OVERLOAD PROTECTION AS REQUIRED.

2 NEVER JUMPER THESE TERMINALS. THIS SHORTS OUT VALVE COIL AND MAY BURN OUT HEAT ANTICIPATOR IN THERMOSTAT.

3 ORDER ECO LIMIT AND LEADWIRES SEPERATELY.

M23299