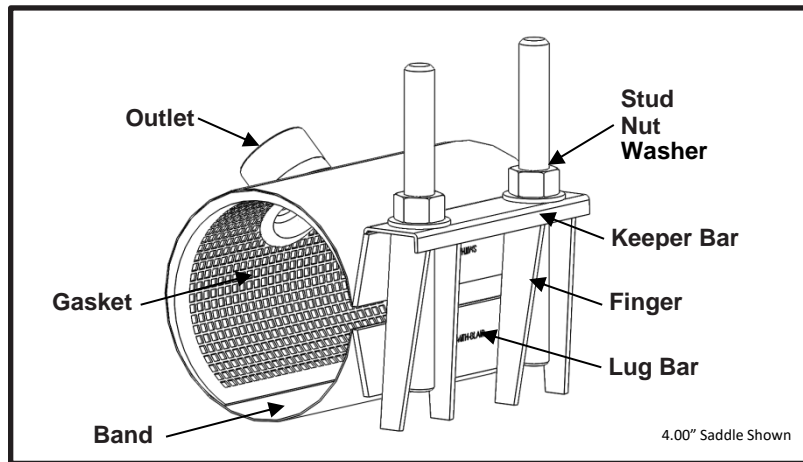




Smith-Blair  
a xylem brand

# SPECIFICATION

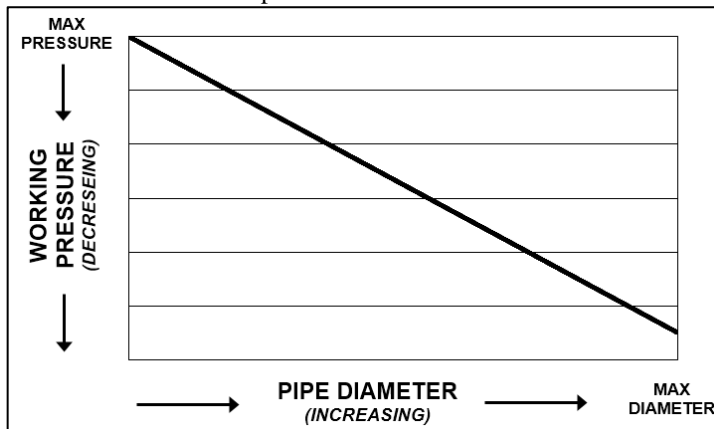
## SERVICE SADDLE ALL STAINLESS DOUBLE BOLT MODEL 372



### APPLICATIONS

- **Typical Uses**
  - Repair and restore damaged, broken, or torn out service connections or branch lines
  - Tapping branch connections on new or existing pipe
- **Standard Pipe Sizes**
  - 4" to 16" nominal
- **Standard Taps**
  - NPT: 1/2", 3/4", 1", 1-1/4", 1-1/2", 2"
  - CC/AWWA: 1/2", 3/4", 5/8", 1", 1-1/4", 1-1/2", 2"
  - BSP: 1/2", 3/4", 1", 1-1/4", 1-1/2", 2"

*See Smith-Blair catalog for available pipe diameter and tap size combinations as some combinations are not available*
- **Standard Width**
  - 7.50"
- **Type of Pipe**
  - Carbon Steel, Stainless Steel, Ductile Iron, PVC, HDPE DR17 or thicker (with use of spring washers), Asbestos Cement, Copper, Aluminum
- **Working Pressure**
  - Up to 150 psi depending on **pipe size**, type of pipe, type of repair, pipe diameter, service conditions, and installation workmanship





*Smith-Blair*  
a xylem brand

# SPECIFICATION

## SERVICE SADDLE ALL STAINLESS DOUBLE BOLT

### MODEL 372

---

#### MATERIALS

- **Band**
  - Type 304 Stainless Steel per ASTM A240
  - Band Thickness: 19 gauge
- **Finger**
  - Type 304 Stainless Steel per ASTM A240
  - Finger Thickness: 10 gauge
- **Lug Bar**
  - Type 304 Stainless Steel per ASTM A240
  - Lug Bar Thickness: 10 gauge
- **Keeper Bar**
  - Type 304 Stainless Steel per ASTM A240
  - Keeper Bar Thickness: 14 gauge
  - Solution annealed for increased corrosion resistance and strength
  - Helps pull clamp around the pipe and closes the clamp during installation
- **Gasket**
  - Nitrile (Buna-N) per ASTM D2000
  - Compounded to resist water, oil, natural gas, acids, alkalies, most (aliphatic) hydrocarbon fluids, and many other chemicals
  - Temperature range: -20°F to +180°F
  - Outlet gasket mated into recess of band
- **Outlet**
  - Type 304 Stainless Steel per ASTM A276
- **Stud**
  - Type 304 Stainless Steel per ASTM A276
  - Epoxy coated threads to prevent galling
  - 5/8"-11UNC x 7.00" long, Stud welded to Lug Bar; Rolled threads
- **Nut**
  - Type 304 Stainless Steel GR. 8 per ASTM A194
  - Fluoropolymer coated
  - 5/8"-11UNC, Heavy Hex Semi-Finished
- **Washer**
  - Type 304 Stainless Steel per ASTM A240
  - 5/8" Type A Plain
- **Welding**
  - Welds accomplished using qualified welders
  - GMAW and GTAW weld processes utilized



*Smith-Blair*  
a xylem brand

# SPECIFICATION

## SERVICE SADDLE ALL STAINLESS DOUBLE BOLT

### MODEL 372

---

#### LISTINGS/STANDARDS

- Meets applicable portions of AWWA C230
- Certified to NSF/ANSI 61 and NSF/ANSI 372

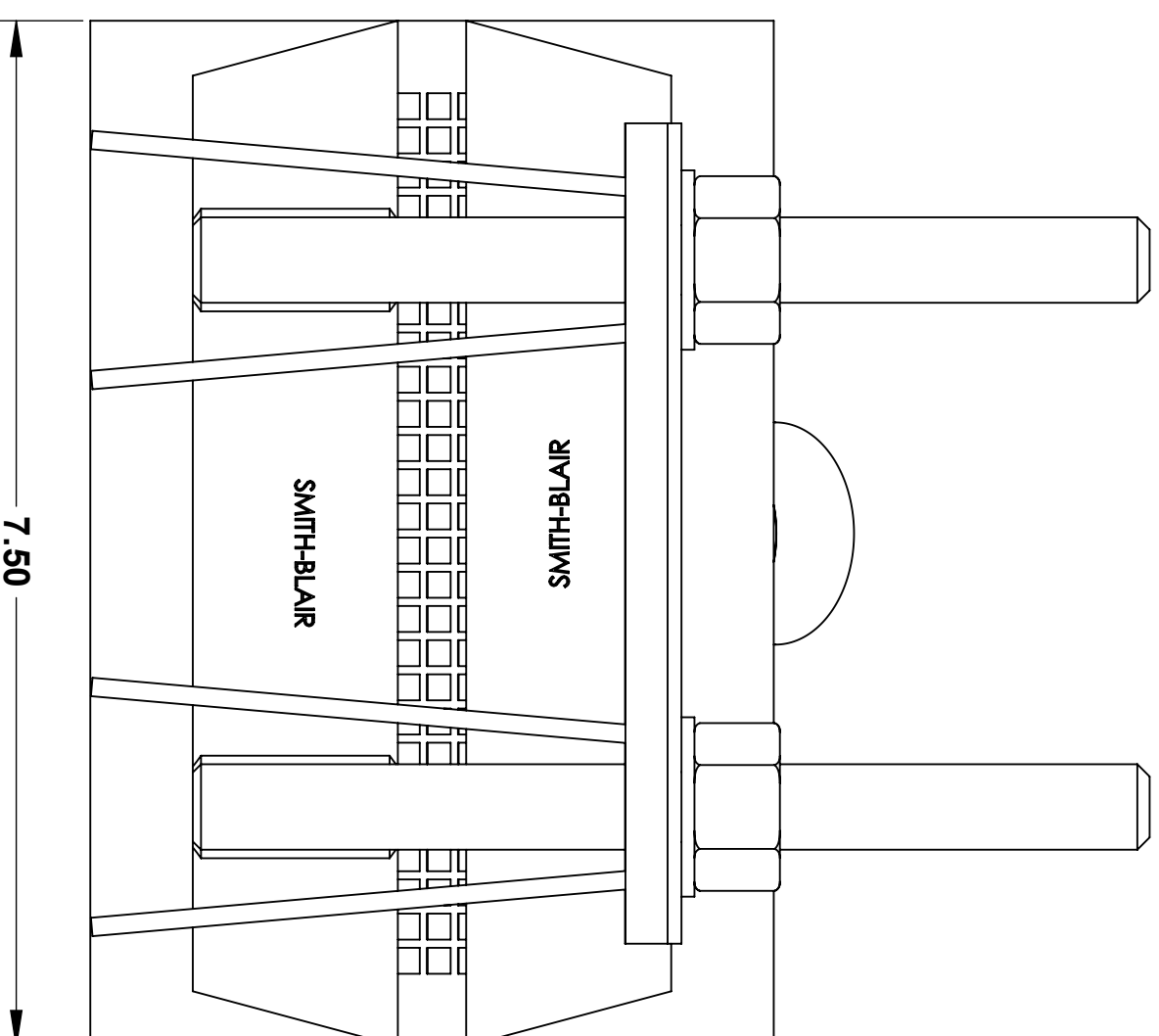
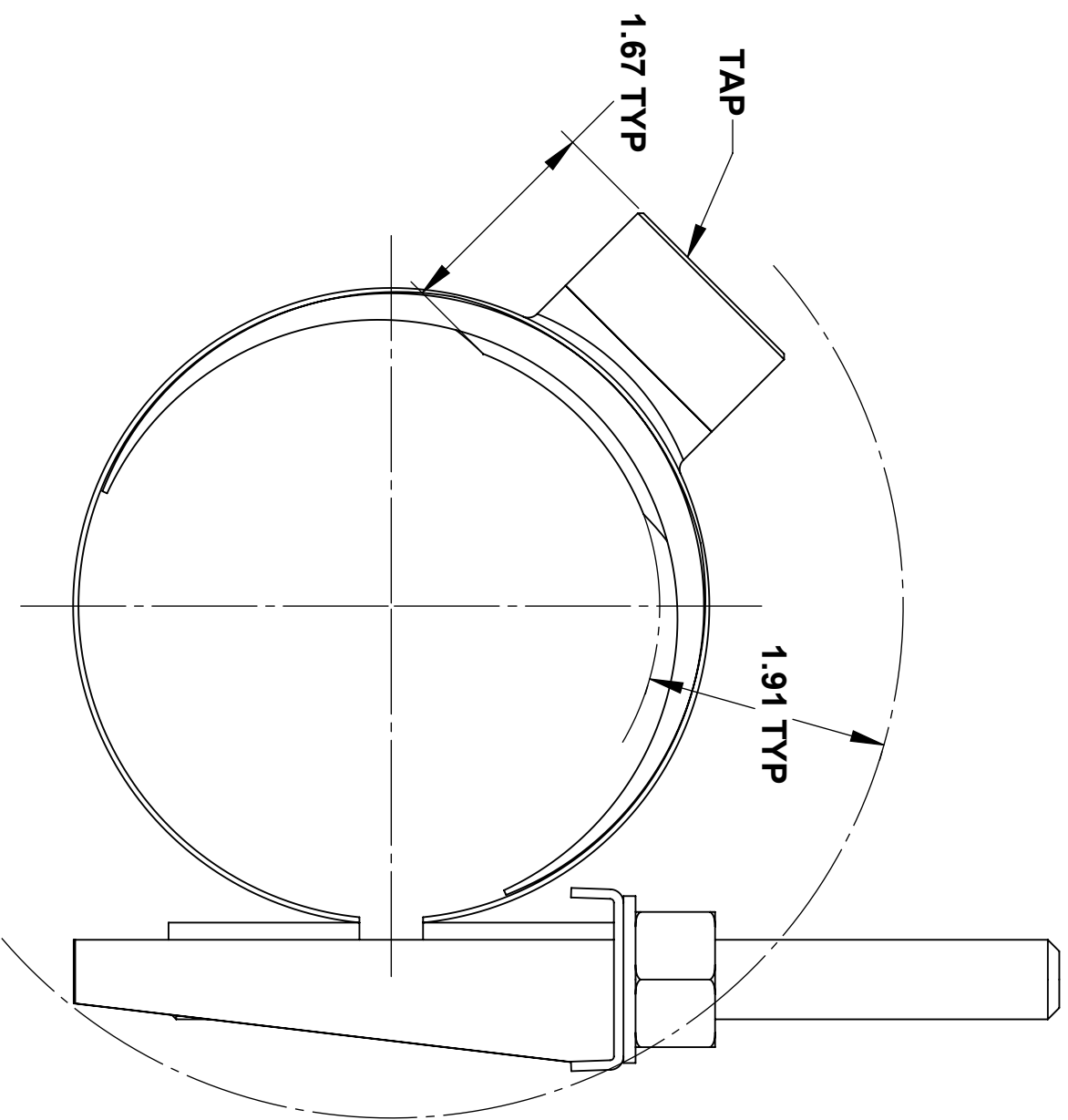
#### OPTIONS

- Type 316 Stainless Steel band
- Type 316 Stainless Steel hardware with fluoropolymer coated nuts to prevent galling
- Alternative gasket material (e.g. Viton, EPDM, etc.)
- Spring washers for use of clamp on HDPE pipe

#### NOTES

- Spring washers **are required** when this product is used on DR17 or thicker HDPE pipe
- Xylem, Smith-Blair, SB stylized are registered trademarks of Xylem, Inc., or one of its subsidiaries.
- These product specifications were correct at the time of publication and are subject to change without notice.
- See the Smith-Blair website for part numbers and ordering information
- See the Smith-Blair website for warranty information
- See the Smith-Blair website for corrosion notice

30 Globe Ave, Texarkana, AR 71854  
Ph: 870-773-5127 • Fax: 870-773-5212  
Toll-Free Numbers: Ph: 800-643-9705 • Fax: 800-648-6792



- NOTES:**
1. SEE SMITH-BLAIR CATALOG FOR AVAILABLE PIPE DIAMETER AND TAP SIZE COMBINATIONS AS SOME COMBINATIONS ARE NOT AVAILABLE.
  2. 4" NOMINAL CLAMP SHOWN OTHER SIZES SIMILAR.

NOM. PIPE SIZE	KEEPER BAR		HARDWARE			SOCKET SIZE
	QUANTITY	SIZE	QUANTITY	STUD SIZE	WASHER SIZE	
4 - 16	1	6.00	2	5/8" X 7.00"	5/8"	1-1/16"

TAP CHART				
SIZE	NPT	CC	BSP	
1/2"	03	04	59	
5/8"	-	05	-	
3/4"	06	07	50	
1"	08	09	51	
1-1/4"	10	11	54	
1-1/2"	12	13	52	
2"	14	-	53	

TOLERANCES U.N.O. XX= ±.03 XXX= ±.015 FRACTIONS= ANGLES=±1° MACH. FIN= ALL DIMENSIONS ARE IN INCHES.	NOTES: REMOVE BURRS AND SHARP EDGES DO NOT SCALE DWG. SCALE: N/A	APP'D	DATE
		CK'D	DATE
		DRN	6/22/15

**TITLE**  
**SPECIFICATION**  
**SERVICE SADDLE, ALL STAINLESS, DOUBLE BOLT**  
**MODEL 372**

**SMITH-BLAIR, Inc.**  
 TEXARKANA, ARKANSAS

P/N N/A  
 DWG. NO. **SPEC\_372.DRW**  
 1 OF 1 SHEET  
 7/18/18 REV.